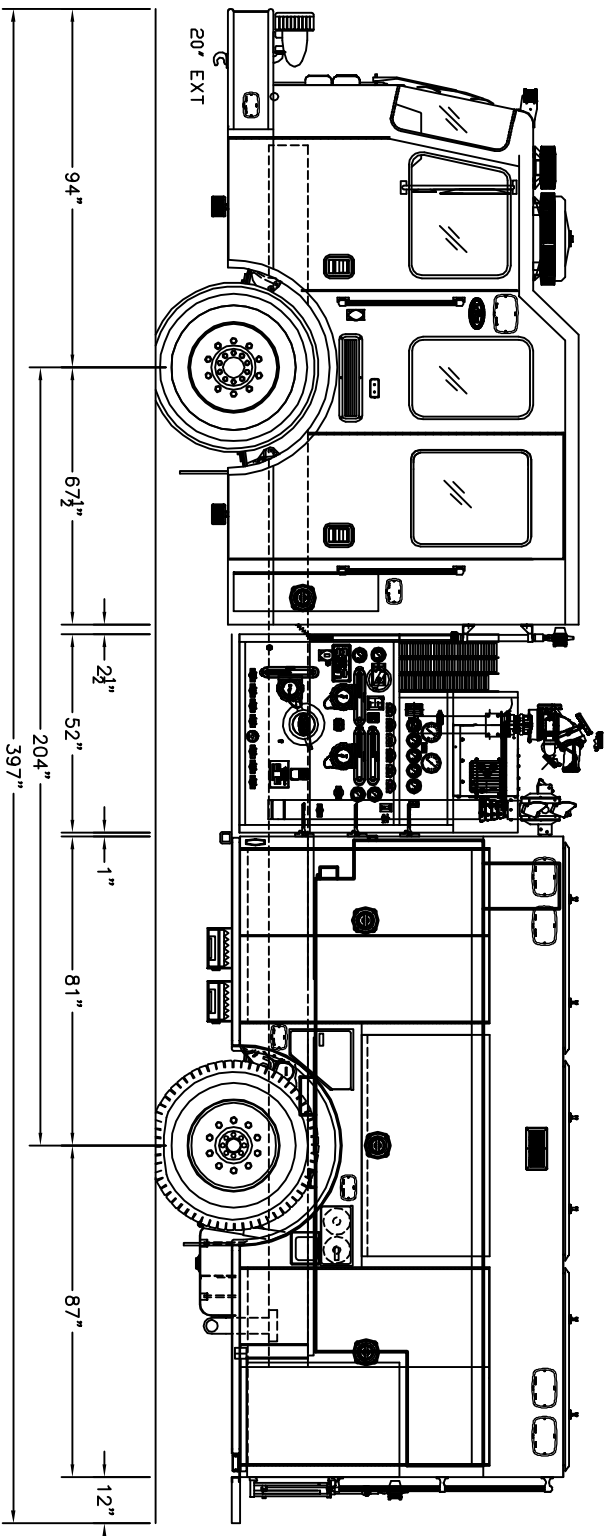
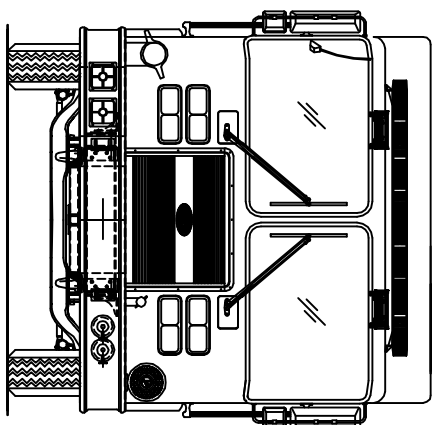
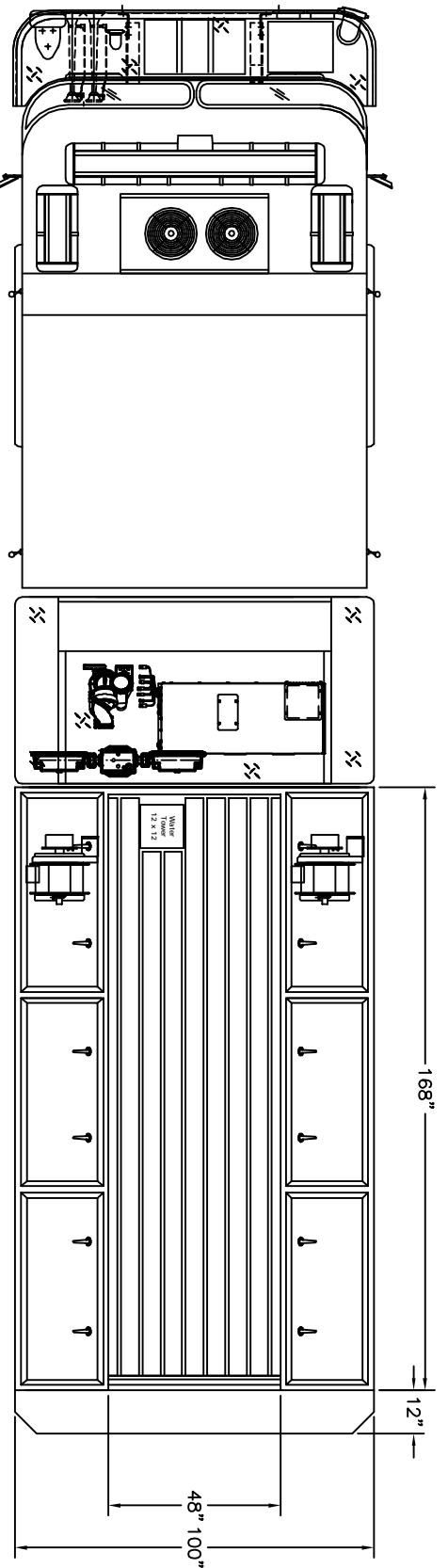


REAR VIEW OF CAB



----- CHASSIS -----

CHASSIS: KME PREDATOR LPD 12" RR
 CAB: 4 DOOR CUMMINS ISM 500 HP
 ENGINE: CUMMINS ISM 500 HP
 TRANSMISSION: ALLISON 4000EVS
 FRONT AXLE: 21,480#
 REAR AXLE: 31,000#

----- PUMP -----

PUMP: HAILE QFTO PLUS-126 1250 GPM SINGLE STAGE
 INTAKES:
 DRIVER SIDE: 6" & 2 1/2"
 OFFICER SIDE: 6" & 2 1/2"
 FRONT: 6"
 REAR: 6"

DISCHARGES:
 DRIVER SIDE: (2) 2 1/2" & (1) 4"
 OFFICER SIDE: (1) 2 1/2" & (1) 4"
 FRONT: (1) 1 1/2" & (1) 2 1/2"
 REAR: (1) 2 1/2" DS
 DECK GUN: (1) 3" & (1) 3 3/4" CROSSLAWS
 OTHER: (2) 1 3/4" CROSSLAWS

----- TANK -----

TANK: POLY
 WATER: 1,000
 FOAM:
 EXTRA FILLS:
 DUMPS:

----- BODY -----

BODY TYPE: 168" FLUSHBACK
 MATERIAL: 3/16" ALUMINUM
 COMPARTMENTATION
 DRIVER SIDE: FULL HEIGHT/FULL DEPTH
 OFFICER SIDE: FULL HEIGHT/SPLIT DEPTH
 HOSEBED
 CAPACITY: WB-10
 DIVIDERS: TWO (2)
 HOSE LOAD: 1,000' OF 5"
 500' OF 3"
 200' OF 2 1/2"

----- MISC. -----

GENERATOR: ONAN 25,000 WATT
 FOAM SYSTEM:

CUSTOMER APPROVAL:

NAME:
 TITLE:
 DATE:

THIS DRAWING IS A GENERAL CONFIGURATION AND MAY NOT NECESSARILY REFLECT ALL CONTRACTUAL REQUIREMENTS. CONTRACT SPECIFICATIONS SHALL PREVAIL OVER DRAWING

REV	DATE	REVISION DESCRIPTION	APP'D.
A	2-17-2010	REVISED PER PRECONSTRUCTION	RJM
SYN			

SALES ENGINEER : ROB MABRY



KOVATCH MOBILE EQUIPMENT
 ONE INDUSTRIAL COMPLEX - HERSHEY, PA 17033
 DIMENSIONS ARE APPROXIMATE & MAY VARY DUE TO BUILD ADJUSTMENTS

DATE: 11-20-09 1"=24"
 SCALE: D
 DWG SIZE: DRAWN BY: JIM
 APPROVED BY: RM
 KME CUSTOM PUMPER

FANNETT METAL FIRE CO#1, PA
 GSO#7909